

DESCRIPTION: ELECTRICAL DRAWING GE804 28KVA 400V 50HZ 4P 12VDC + SOCK 16P.	Project: C0AG002812A002A.prg	Cod.Art: 6018044028	Data: 12/01/2006
METALLWARENFABRIK GEMMINGEN GMBH & CO. industriestr.1 75050 Gemmingen Germany	Operator: C.B.	Drawing: C0AG002812A002A.prg	N.Page: 3.5

0

1

2

3

4

5

6

7

8

9

A

B

C

D

E

F

G

H

I

J

A

B

C

D

E

F

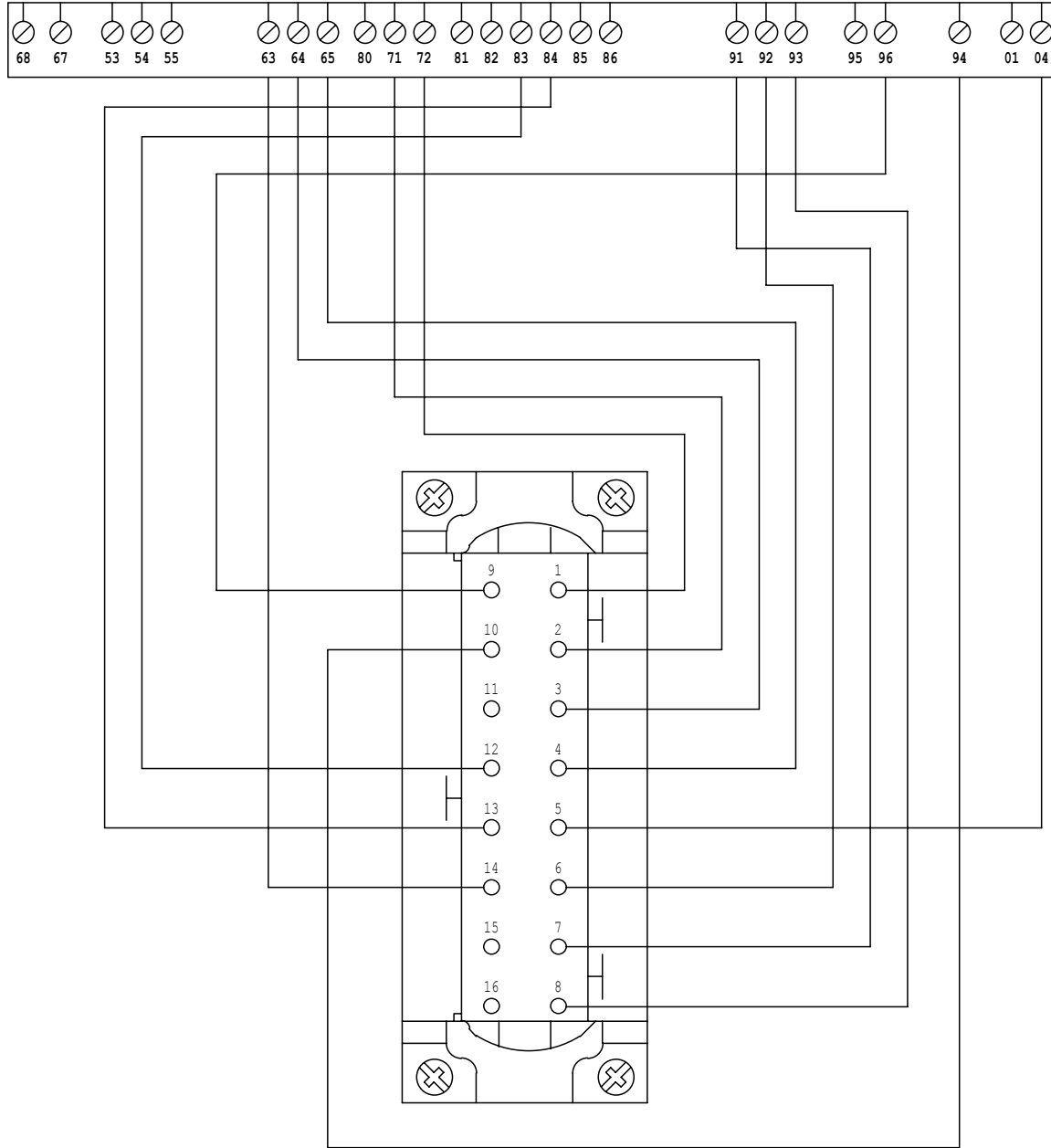
G

H

I

J

MORSETTIERA
BOARD



DESCRIPTION: ELECTRICAL DRAWING GE804 28KVA 400V 50HZ 4P 12VDC + SOCK 16P.
 METALLWARENFABRIK GEMMINGEN GMBH & CO. industriestr.1 75050 Gemmingen Germany

Project: C0AG002812A002A.prg
 Operator: C.B.

Cod.Art: 6018044028
 Drawing: C0AG002812A002A.prg

Data: 12/01/2006
 N.Page: 4.5

0

1

2

3

4

5

6

7

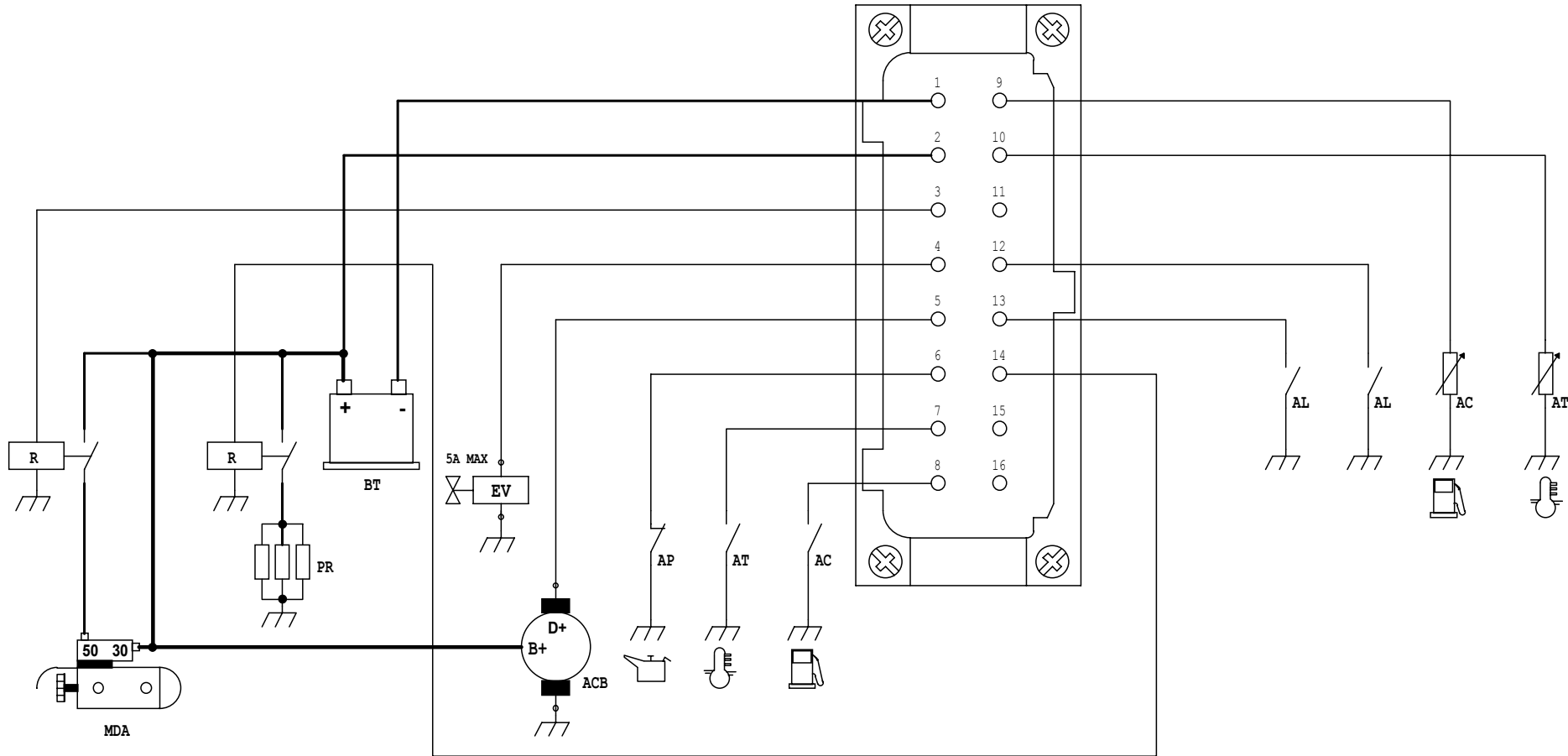
8

9

0 1 2 3 4 5 6 7 8 9

A
B
C
D
E
F
G
H
I
J

**CONNETTORE ILME 16 POLI MASCHIO
ILME CONNECTOR 16 POLES MALE**



DESCRIZIONE	DESCRIPTION	DESCRIPTION	DESCRIPCION
AC : INPUT ALLARME CARBURANTE	FUEL ALARM INPUT	ALARME NIVEAU CARBURANT	ALARMA RESERVA COMBUSTIBLE
ACB : ALTERNATORE CARICABATTERIA	BATTERYCHARGER ALTERNATOR	ALTERNATEUR CHARGE BATTERIE	ALTERNADOR CARGA BATERIAS
AL : ALLARME LIBERO	FREE ALARM	ALARME DISPONIBLE	ALARMA LIBRE
AP : INPUT ALLARME PRESSIONE OLIO	OIL ALARM INPUT	ALARME PRESSION HUILE	ALARMA PRESION ACEITE
AT : INPUT ALLARME TEMPERATURA	TEMPERATURE ALARM INPUT	ALARME TEMPERATURE EAU	ALARMA TEMPERATURA MOTOR
BT : BATTERIA	BATTERY	BATTERIE	BATERIA
EM : ELETTROMAGNETE STOP	ELECTROMAGNET STOP	RELAIS STOP	ELECTROIMAN
EV : ELETTRO VALVOLA	SOLENOID VALVE	ELETTROVANNE STOP	ELECTROVALVULA
MDA : MOTORINO AVVIAMENTO	STARTING MOTOR	RELAIS DEMARREUR	MOTOR DE ARRANQUE
PR : PRERISCALDO	PRE-HEATING	PRECHAUFFAGE	PRECALDEO
R : RELE AUSILIARIO	AUXILIARY RELAY	RELAIS AUX	RELE AUXILIAR



0 1 2 3 4 5 6 7 8 9