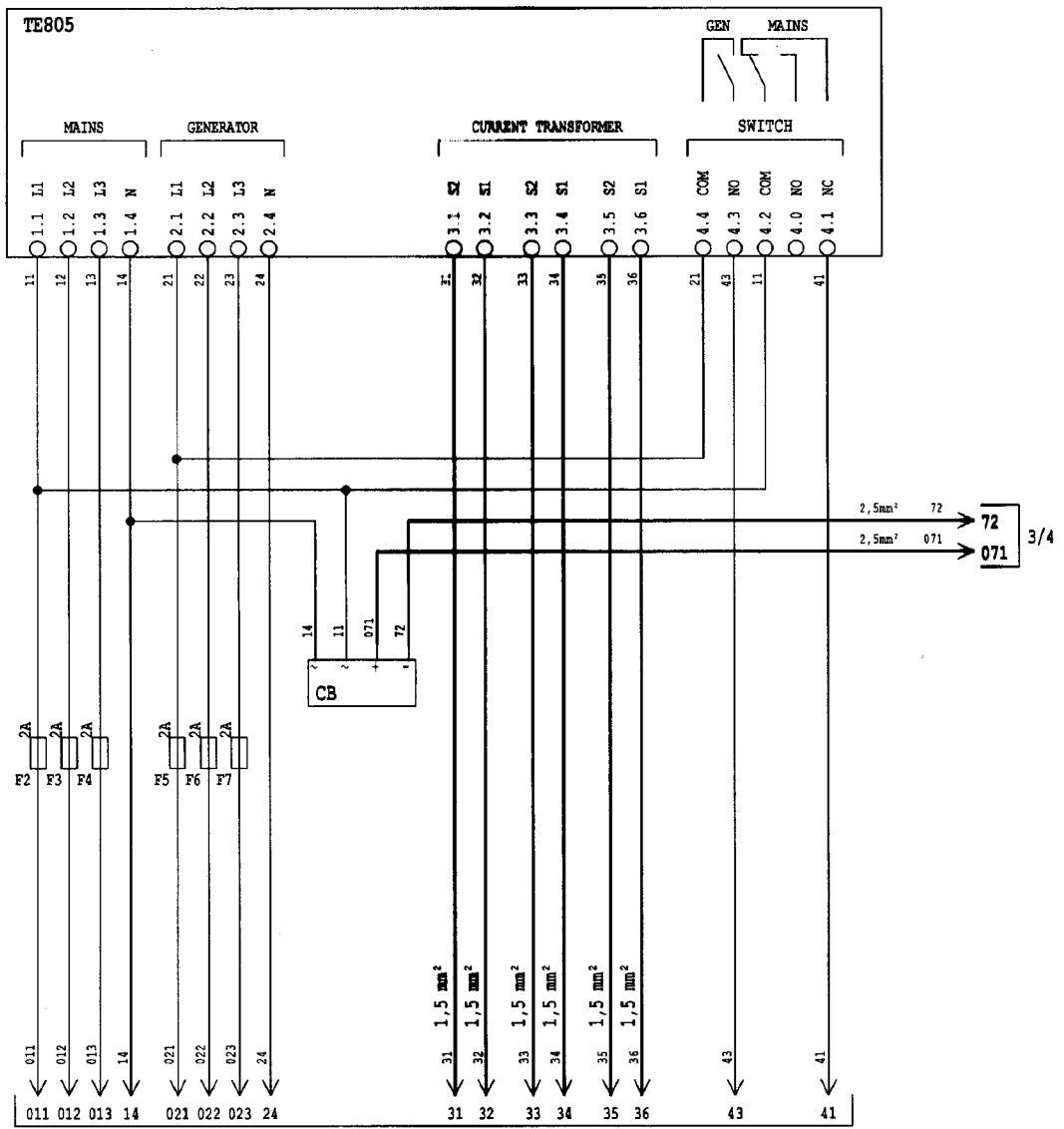


2/4

A  
B  
C  
D  
E  
F  
G  
H  
I  
J



DESCRIPTION SCHEMA ELETTRICO/ELECTRICAL DRAWING FOR .AT92B3-805 31KVA 45A 400V 12VDC

Art.Cod: AT92B380531 DATE: 12/02/200

OPERATOR: S.R.

Project: AUETC02812A001A.prg

Drawing: AUETC02812A001A.prg

N. PAGE: 2.4

1

2

3

4

5

6

7

8

9

10

A

B

C

D

E

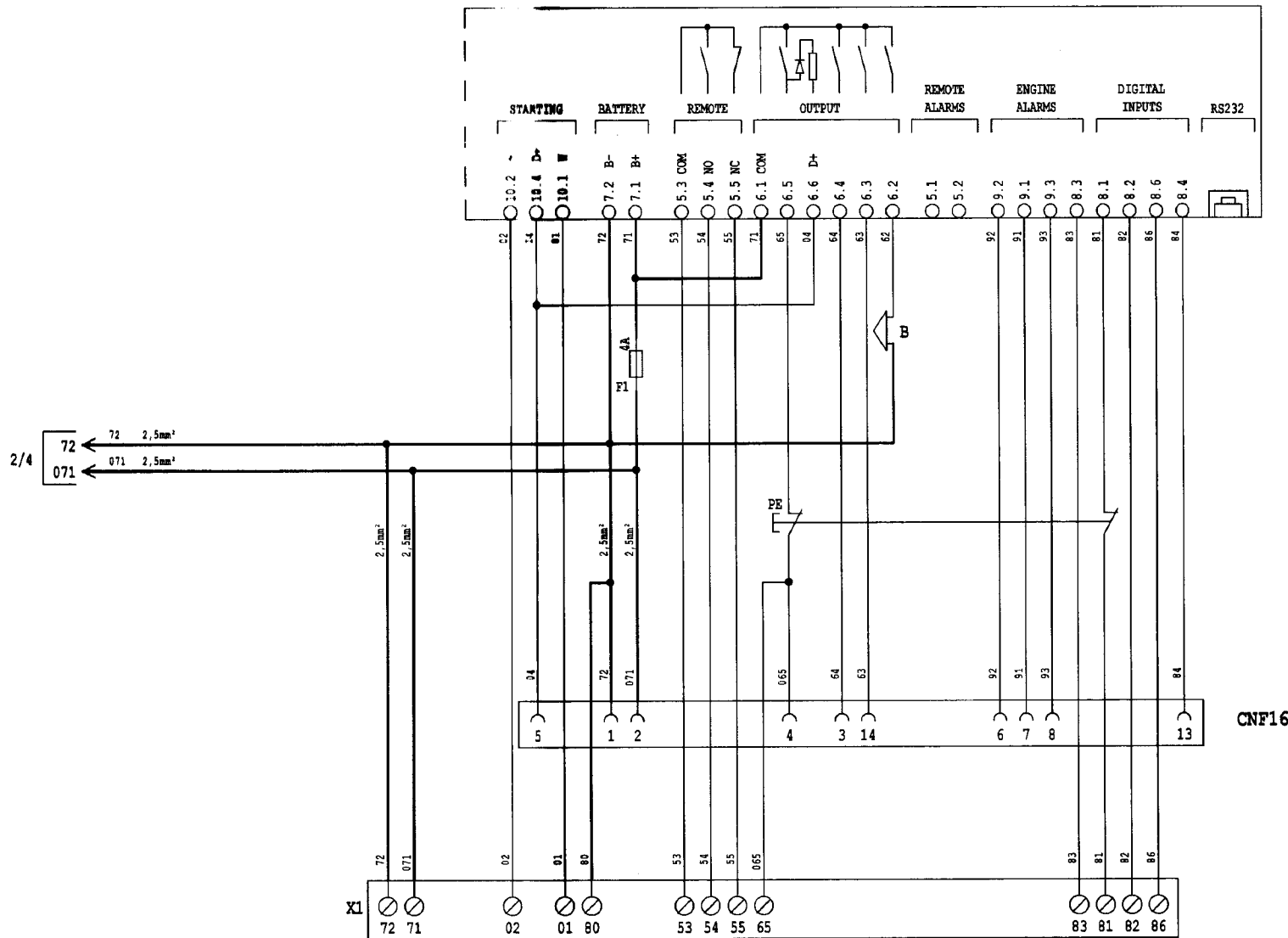
F

G

H

I

J



**MORSETTIERA  
BOARD**

DESCRIPTION SCHEMA ELETTRICO/ELECTRICAL DRAWING FOR .AT92B3-805 31KVA 45A 400V 12VDC

Art.Cod: AT92B380531

DATE: 12/02/20

OPERATOR: S.R.

Project: AUETC02812A001A.prg

Drawing: AUETC02812A001A.prg

N.PAGE: 3.4

1

2

3

4

5

6

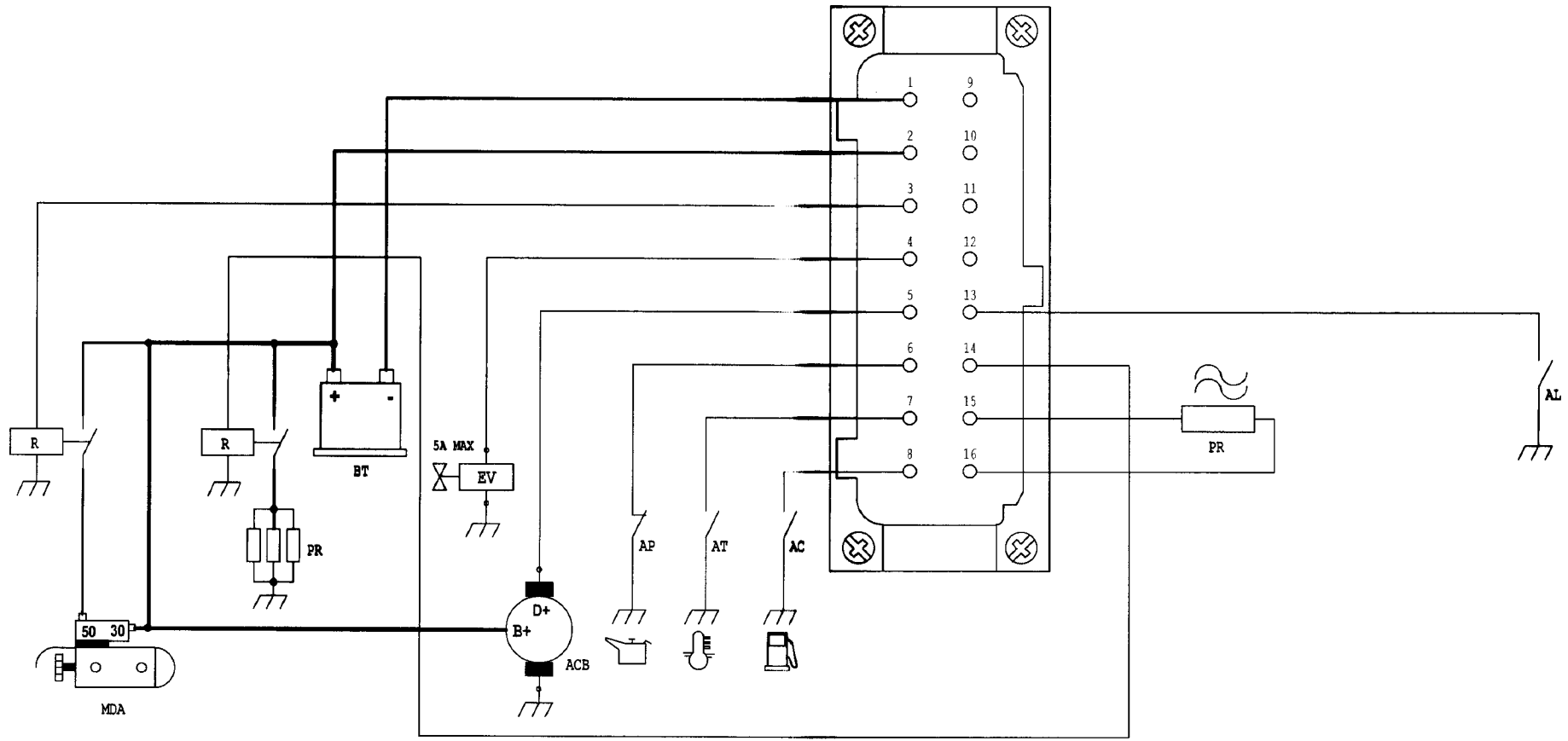
7

8

9

10

**CONNETTORE ILME 16 POLI MASCHIO  
ILME CONNECTOR 16 POLES MALE**



DESCRIZIONE	DESCRIPTION	DESCRIPTION	DESCRIPCION
AC : INPUT ALLARME CARBURANTE	FUEL ALARM INPUT	ALARME NIVEAU CARBURANT	ALARMA RESERVA COMBUSTIBLE
ACB : ALTERNATORE CARICABATTERIA	BATTERYCHARGER ALTERNATOR	ALTERNATEUR CHARGE BATTERIE	ALTERNADOR CARGA BATERIAS
AL : ALLARME LIBERO	FREE ALARM	ALARME DISPONIBLE	ALARMA LIBRE
AP : INPUT ALLARME PRESSIONE OLIO	OIL ALARM INPUT	ALARME PRESSION HUILE	ALARMA PRESSION ACEITE
AT : INPUT ALLARME TEMPERATURA	TEMPERATURE ALARM INPUT	ALARME TEMPERATURE EAU	ALARMA TEMPERATURA MOTOR
BT : BATTERIA	BATTERY	BATTERIE	BATERIA
EM : ELETTROMAGNETE STOP	ELECTROMAGNET STOP	RELAIS STOP	ELECTROIMAN
EV : ELETTRO VALVOLA	SOLENOID VALVE	ELETTROVANNE STOP	ELECTROVALVULA
MDA : MOTORINO AVVIAMENTO	STARTING MOTOR	RELAIS DEMARREUR	MOTOR DE ARRANQUE
PR : PRERISCALDO	PRE-HEATING	PRECHAUFFAGE	PRECALDEO
R : RELE AUSILIARIO	AUXILIARY RELAY	RELAIS AUX	RELE AUXILIAR

DESCRIPTIONSCHEMA ELETTRICO/ELECTRICAL DRAWING FOR .AT92B3-805 31KVA 45A 400V 12VDC

Art.Cod: AT92B380531

DATE: 12/02/20

OPERATOR: S.R.

Project: AUETC02812A001A.prg

Drawing: AUETC02812A001A.prg

N.PAGE: 4 . 4